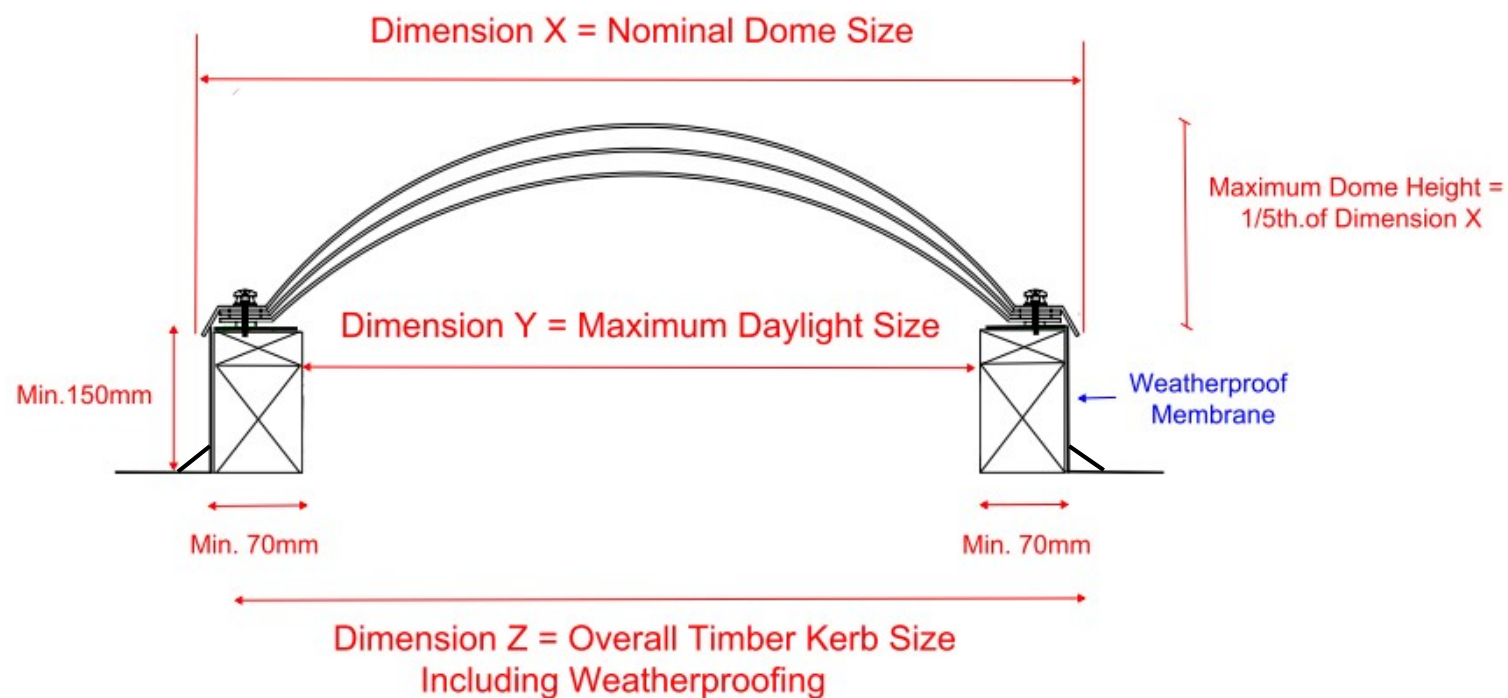


## NOTES

1. Do not scale from drawings.
2. All Mercuri drawings must be read in conjunction with all other relevant project drawings.
3. Any discrepancy should be notified immediately.
4. All dimensions are in mm unless otherwise noted.
5. All kerbs provided by others to be fully constructed, weathered and sealed prior to installation.



Mercuri Architectural Sales Ltd.  
Oakdale House, Briar Road  
Thornton Cleveleys  
Lancashire  
FY5 4NA

Tel: 01253 827633  
Fax: 01253 853906

Email: [sales@mercurinet.co.uk](mailto:sales@mercurinet.co.uk)  
[www.mercurinet.co.uk](http://www.mercurinet.co.uk)



**Title :** Basic Standard Dimensions

**Project :** TopLite Classic Dome

**Client :**

**Drawing Number :** MA 20 - 01 - 01

**Date :** January 2020      **Drawn :** SJS

**Checked :** BS      **Scale :** NTS

**Revision :**      **Date :**

Issue January 2020

A4